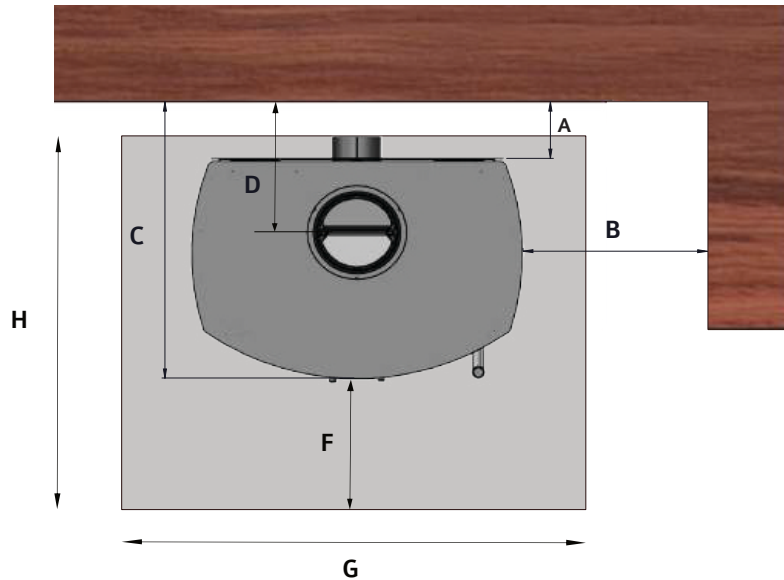


CLEARANCE TO COMBUSTIBLES ..Continued

CHURCHILL 5 CONVECTION LOGSTORE



| | | Dimensions in mm |
|----------|--|------------------|
| A | Rear of heater to rear wall | 50 |
| B | Side of heater to side wall | 500 |
| C | Rear wall to front of the unit | 438 |
| D | Centre of flue to rear wall | 180 |
| F | Hearth extension from the glass opening | 450 |
| G | Width of hearth | 795 |
| H | Depth of hearth | 835 |
| | Thickness of the hearth (compressed Board) | 6 |